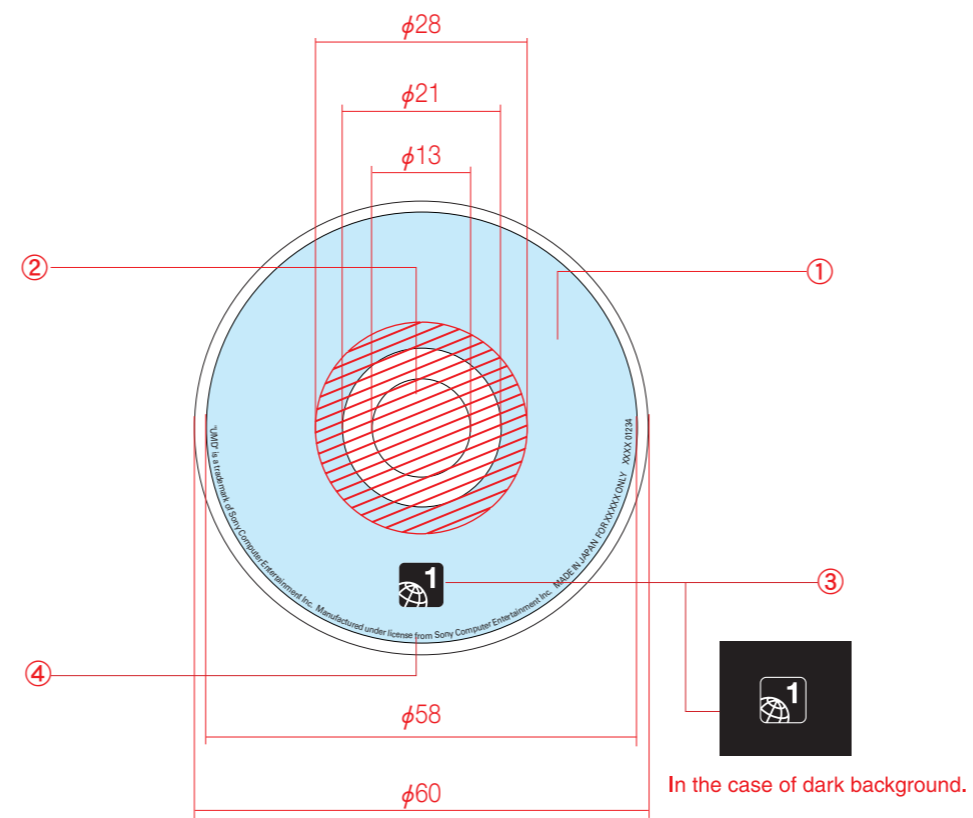


### UMD disc label

#### Printing area on UMD disc label surface



Disc size :  $\phi 13$  to  $\phi 60$

① Printing area :  $\phi 21$  to  $\phi 58$  ( area displayed light blue )

② The part which hides by the caddy :  $\phi 28$

③ **Region code**

Change to color is not allowed.

Placement can be anywhere.

Size is used by 3mm or more.

④ **Trademark notes, Country origin, Licensed territory, Item number**

Change to size is not allowed.

Placement is the circumference.

The addition of arbitrary regulation sentences is possible.

The text after [ MADE IN JAPAN ] is arranging at the sentence end.

Color : K 100% or white cutaway

In the case of dark background.

**Printing : offset printing of 4 color use**

- ① **for PSP logo**  
Changes to size and color are not allowed.  
Movement of a position is allowed in the empty space of a belt.
- ② **UMD VIDEO logo**  
Changes to size and placement are not allowed.  
Color : K 100% or white cutaway
- ③ **Category icon**  
Changes to size and placement are not allowed.  
Color : K 100% or white cutaway

- ④ **Color belt**  
Changes to size and placement are not allowed.  
Change to color is allowed.
- ⑤ **Title**  
Placement, size, typeface and color can be adjust freely.
- ⑥ **Region code**  
Changes to size and color are not allowed.  
Change to placement is allowed.

- ⑦ **Item number**  
Size and placement are recommended.  
Change to color is allowed.
- ⑧ **Trademark notes**  
Changes to size, color and placement are allowed.
- ⑨ **UMD logo**  
Changes to size is allowed.  
Color : K 100% or white cutaway  
Placement is anywhere allowed in a back cover.

Scale = 1:1  
Unit = mm  
Color = Process 4C

